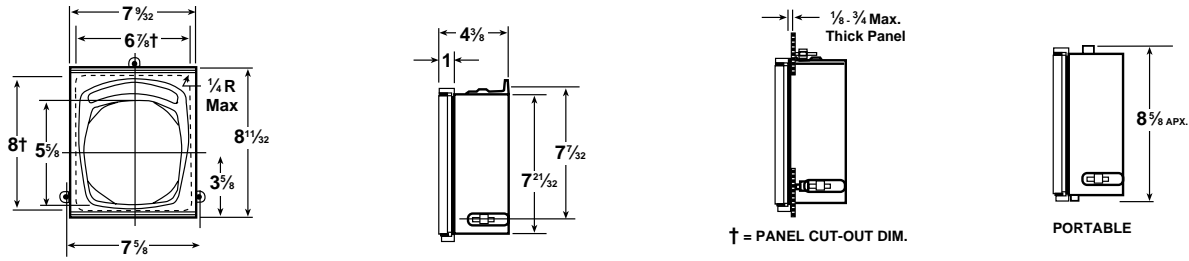
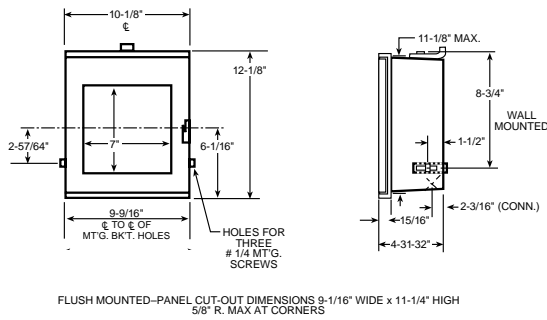


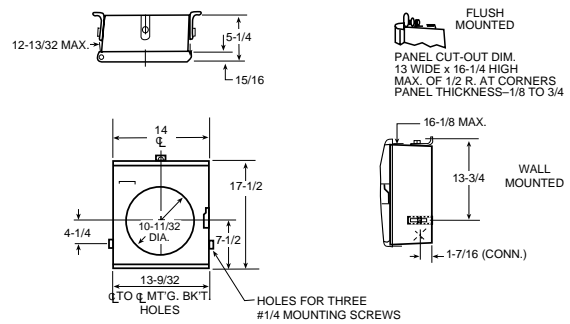
## 6" Recorder Case Dimensions



## 8" Recorder Case Dimensions



## 10" & 12" Recorder Case Dimensions



## Charts For Temperature Recorders

| Chart Size      | Period of Revolution | Chart No.            | Range        | Divs. | Charts Gas F | c |
|-----------------|----------------------|----------------------|--------------|-------|--------------|---|
| 6 Inch          | 24-Hour              | W-150 + 100-6* Rev.  | -150 to 100° | 5°    | ✓            | ✓ |
|                 |                      | W370-130-6           | -130 to 370° | 10°   | ✓            | ✓ |
|                 |                      | W120-30-6            | -30 to 120°  | 2°    | ✓            | ✓ |
|                 |                      | W120-20-6            | -20 to 120°  | 5°    | ✓            | ✓ |
|                 |                      | W60-0-6              | 0 to 60°     | 1°    | ✓            | ✓ |
|                 |                      | W100-0-6             | 0 to 100°    | 2°    | ✓            | ✓ |
|                 |                      | W200-0-6             | 0 to 200°    | 5°    | ✓            | ✓ |
|                 |                      | W300-0-6             | 0 to 300°    | 5°    | ✓            | ✓ |
|                 |                      | W180 + 30-6          | 30 to 180°   | 5°    | ✓            | ✓ |
|                 | 7-Day                | W7-150 + 100-6* Rev. | -150 to 100° | 5°    | ✓            | ✓ |
|                 |                      | W7-100 + 38-6* Rev.  | -100 to 38°  | 2°    | ✓            | ✓ |
|                 |                      | W7-60-40-6           | -40 to 60°   | 2°    | ✓            | ✓ |
|                 |                      | W7-120-20-6          | -20 to 120°  | 5°    | ✓            | ✓ |
|                 |                      | W7-38-17-6           | -17 to 38°   | 1°    | ✓            | ✓ |
|                 |                      | W7-60-0-6            | 0 to 60°     | 1°    | ✓            | ✓ |
|                 |                      | W7-100-0-6           | 0 to 100°    | 2°    | ✓            | ✓ |
|                 |                      | W7-200-0-6           | 0 to 200°    | 5°    | ✓            | ✓ |
|                 |                      | W7-300-0-6           | 0 to 300°    | 5°    | ✓            | ✓ |
| 8 Inch          | 24-Hour              | W40 + 80-8* Rev.     | -40 to 80°   | 2°    | ✓            | ✓ |
|                 |                      | W110-40-8            | -40 to 110°  | 2°    | ✓            | ✓ |
|                 |                      | W100-20-8            | -20 to 100°  | 2°    | ✓            | ✓ |
|                 |                      | W60-0-8              | 0 to 60°     | 1°    | ✓            | ✓ |
|                 |                      | W100-0-8             | 0 to 100°    | 2°    | ✓            | ✓ |
|                 |                      | W120-0-8             | 0 to 120°    | 2°    | ✓            | ✓ |
|                 |                      | W150-0-8             | 0 to 150°    | 2°    | ✓            | ✓ |
|                 |                      | W200-0-8             | 0 to 200°    | 5°    | ✓            | ✓ |
|                 |                      | W250-0-8             | 0 to 250°    | 5°    | ✓            | ✓ |
|                 |                      | W300-0-8             | 0 to 300°    | 5°    | ✓            | ✓ |
|                 |                      | W500-0-8             | 0 to 500°    | 10°   | ✓            | ✓ |
|                 | 7 Day                | W1000-0-8            | 0 to 1000°   | 20°   | ✓            | ✓ |
|                 |                      | W7-40 + 80-8* Rev.   | -40 to 80°   | 2°    | ✓            | ✓ |
|                 |                      | W7-110-40-8          | -40 to 110°  | 2°    | ✓            | ✓ |
|                 |                      | W7-30 + 70-8* Rev.   | -30 to 70°   | 2°    | ✓            | ✓ |
|                 |                      | W7-40-10-8           | -10 to 40°   | 1°    | ✓            | ✓ |
|                 |                      | W7-110-10-8          | -10 to 110°  | 2°    | ✓            | ✓ |
|                 |                      | W7-110-10-8 1/2**    | -10 to 110°  | 2°    | ✓            | ✓ |
| W7-50-0-8       | 0 to 50°             | 1°                   | ✓            | ✓     |              |   |
| W7-60-0-8       | 0 to 60°             | 1°                   | ✓            | ✓     |              |   |
| W7-80-0-8 1/2** | 0 to 80°             | 2°                   | ✓            | ✓     |              |   |
| W7-100-0-8      | 0 to 100°            | 2°                   | ✓            | ✓     |              |   |
| W7-100-0-8**    | 0 to 100°            | 2°                   | ✓            | ✓     |              |   |
| 200-50-8**      | { 0 to 100° }        | 3°                   | ✓            | ✓     |              |   |
| W7-120-0-8      | 0 to 120°            | 2°                   | ✓            | ✓     |              |   |
| W7-150-0-8      | 0 to 150°            | 2°                   | ✓            | ✓     |              |   |
| W7-300-0-8      | 0 to 300°            | 5°                   | ✓            | ✓     |              |   |
| W7-500-0-8      | 0 to 500°            | 10°                  | ✓            | ✓     |              |   |

\*Reverse graduations, i.e. lowest point in range at outer edge of chart.

\*\*1/2" diameter hole.

✓Charts Available.

††Combination temperature and pressure chart.

| Chart Size      | Period of Revolution  | Chart No.            | Range                            | Divs.               | Charts Gas F | C |
|-----------------|-----------------------|----------------------|----------------------------------|---------------------|--------------|---|
| 10 Inch         | 24-Hour               | W70-70-10            | -70 to 70°                       | 2°                  | ✓            | ✓ |
|                 |                       | W110-40-10           | -40 to 110°                      | 2°                  | ✓            | ✓ |
|                 |                       | W-30 + 70-10* Rev.   | -30 to 70°                       | 1°                  | ✓            | ✓ |
|                 |                       | W120-30-10           | -30 to 120°                      | 2°                  | ✓            | ✓ |
|                 |                       | W100-20-10T          | { -20 to 100° }                  | 1°                  | ✓            | ✓ |
|                 |                       | 30-0-100P††          | { 30"-0-100# }                   | 2" & 1#             | ✓            | ✓ |
|                 |                       | W40-10-10            | -10 to 40°                       | 1°                  | ✓            | ✓ |
|                 |                       | W60-0-10             | 0 to 60°                         | 1°                  | ✓            | ✓ |
|                 |                       | W80-0-10             | 0 to 80°                         | 1°                  | ✓            | ✓ |
|                 |                       | W100-0-10            | 0 to 100°                        | ✓                   | ✓            | ✓ |
|                 |                       | W200-0-10            | 0 to 200°                        | 2°                  | ✓            | ✓ |
|                 |                       | W250-0-10            | 0 to 250°                        | 2°                  | ✓            | ✓ |
|                 |                       | W300-0-10            | 0 to 300°                        | 5°                  | ✓            | ✓ |
|                 |                       | W400-0-10            | 0 to 400°                        | 5°                  | ✓            | ✓ |
|                 |                       | W500-0-10            | 0 to 500°                        | 5°                  | ✓            | ✓ |
|                 |                       | W800-0-10            | 0 to 800°                        | 10°                 | ✓            | ✓ |
|                 |                       | W1000-0-10           | 0 to 1000°                       | 10°                 | ✓            | ✓ |
|                 |                       | W20 + 120-10* Rev.   | 20 to 120°                       | 1°                  | ✓            | ✓ |
|                 | W230 + 30-10          | 30 to 230°           | 2°                               | ✓                   | ✓            |   |
|                 | W400 + 50-10          | 50 to 400°           | 5°                               | ✓                   | ✓            |   |
|                 | W500 + 50-10          | 50 to 500°           | 5°                               | ✓                   | ✓            |   |
|                 | W600 + 100-10         | 100 to 600°          | 5°                               | ✓                   | ✓            |   |
|                 | 7-Day                 | W7-100 + 26-10* Rev. | -100 to 26°                      | 2°                  | ✓            | ✓ |
|                 |                       | W7-260-40-10AP†      | -40 to 260°                      | 5°                  | ✓            | ✓ |
|                 |                       | W7-70-30-10          | -30 to 70°                       | 1°                  | ✓            | ✓ |
|                 |                       | W7-30 + 70-10* Rev.  | -30 to 70°                       | 1°                  | ✓            | ✓ |
|                 |                       | W7-120-30-10         | -30 to 120°                      | 2°                  | ✓            | ✓ |
|                 |                       | W7-60-0-10           | 0 to 60°                         | 1°                  | ✓            | ✓ |
|                 |                       | W7-100-0-10          | 0 to 100°                        | 1°                  | ✓            | ✓ |
|                 |                       | W7-110-0-10          | 0 to 110°                        | 1°                  | ✓            | ✓ |
| W7-150-0-10     |                       | 0 to 150°            | 2°                               | ✓                   | ✓            |   |
| W7-200-0-10     |                       | 0 to 200°            | 2°                               | ✓                   | ✓            |   |
| W7-250-0-10T    |                       | { 0 to 250° }        | 5°                               | ✓                   | ✓            |   |
| 30-0-250P††     |                       | { 30"-0-250# }       | 10" & 5#                         | ✓                   | ✓            |   |
| W7-300-0-10     | 0 to 300°             | 5°                   | ✓                                | ✓                   |              |   |
| W7-400-0-10     | 0 to 400°             | 5°                   | ✓                                | ✓                   |              |   |
| W7-800-0-10     | 0 to 800°             | 10°                  | ✓                                | ✓                   |              |   |
| W7-230 + 30-10  | 30 to 230°            | 2°                   | ✓                                | ✓                   |              |   |
| 31-Day          | W31-60-0-10           | 0 to 60°             | 1°                               | ✓                   | ✓            |   |
| 12 Inch         | 24-Hour               | W110-40-12           | -40 to 110°                      | 2°                  | ✓            | ✓ |
|                 |                       | W40 + 110-12* Rev.   | -40 to 110°                      | 2°                  | ✓            | ✓ |
|                 |                       | W-30 + 70-12* Rev.   | -30 to 70°                       | 1°                  | ✓            | ✓ |
|                 |                       | W120-30-12           | -30 to 120°                      | 2°                  | ✓            | ✓ |
|                 |                       | W110-10-12           | -10 to 110°                      | 1°                  | ✓            | ✓ |
|                 |                       | W50-0-12             | 0 to 50°                         | 1°                  | ✓            | ✓ |
|                 |                       | W100-0-12            | 0 to 100°                        | 1°                  | ✓            | ✓ |
|                 |                       | W-0+100-12* Rev.     | 0 to 100°                        | 1°                  | ✓            | ✓ |
|                 |                       | W350-700-12P         | { 350 to 700 Kgcm <sup>2</sup> } | 5 Kgcm <sup>2</sup> | ✓            | ✓ |
|                 |                       | 50-100-12T††         | { 50 to 100° }                   | 1°                  | ✓            | ✓ |
|                 |                       | W150-0-12            | 0 to 150°                        | 2°                  | ✓            | ✓ |
|                 |                       | W200-0-12            | 0 to 200°                        | 2°                  | ✓            | ✓ |
|                 |                       | W300-0-12            | 0 to 300°                        | 2°                  | ✓            | ✓ |
|                 |                       | W400-0-12            | 0 to 400°                        | 5°                  | ✓            | ✓ |
|                 |                       | W600-0-12            | 0 to 600°                        | 10°                 | ✓            | ✓ |
|                 |                       | W1000-0-12           | 0 to 1000°                       | 10°                 | ✓            | ✓ |
|                 |                       | W230 + 30-12         | 30 to 230°                       | 2°                  | ✓            | ✓ |
|                 |                       | W150 + 50-12         | 50 to 150°                       | 1°                  | ✓            | ✓ |
|                 | W230 + 120-12         | 120 to 230°          | 1°                               | ✓                   | ✓            |   |
|                 | W300 + 100-12T        | { 100 to 300° }      | 1/5#                             | ✓                   | ✓            |   |
|                 | 15-0-12P††            | { 0 to 15# }         | 1/5#                             | ✓                   | ✓            |   |
|                 | W700 + 300-12         | 300 to 700°          | 5°                               | ✓                   | ✓            |   |
|                 | 7-Day                 | W7-100 + 80-12* Rev. | -100 to 80°                      | 2°                  | ✓            | ✓ |
|                 |                       | W7-150-100-12        | -100 to 150°                     | 2°                  | ✓            | ✓ |
|                 |                       | W7-60 + 40-12* Rev.  | -60 to 40°                       | 1°                  | ✓            | ✓ |
|                 |                       | W7-40 + 80-12* Rev.  | -40 to 80°                       | 1°                  | ✓            | ✓ |
|                 |                       | W7-30 + 50-12* Rev.  | -30 to 50°                       | 1°                  | ✓            | ✓ |
|                 |                       | W7-30 + 70-12* Rev.  | -30 to 70°                       | 1°                  | ✓            | ✓ |
|                 |                       | W7-120-30-12         | -30 to 120°                      | 2°                  | ✓            | ✓ |
|                 |                       | W7-30 + 120-12T††    | { -30 to 120° }                  | 2°                  | ✓            | ✓ |
| 120-0-12P       |                       | { 0 to 120# }        | 2#                               | ✓                   | ✓            |   |
| W7-80-0-12      |                       | 0 to 80°             | 1°                               | ✓                   | ✓            |   |
| W7-100-0-12     |                       | 0 to 100°            | 1°                               | ✓                   | ✓            |   |
| W7-120-0-12     |                       | 0 to 120°            | 1°                               | ✓                   | ✓            |   |
| W7-150-0-12     | 0 to 150°             | 2°                   | ✓                                | ✓                   |              |   |
| W7-150-0-12T    | { 0 to 150°F }        | 2°                   | ✓                                | ✓                   |              |   |
| 50-0-12P††      | { 0 to 50 }           | 1#                   | ✓                                | ✓                   |              |   |
| W7-200-0-12     | 0 to 200°             | 2°                   | ✓                                | ✓                   |              |   |
| W7-300-0-12     | 0 to 300°             | 2°                   | ✓                                | ✓                   |              |   |
| W7-1000-0-12    | { 0 to 1000°F }       | 10°                  | ✓                                | ✓                   |              |   |
| 500-0-12        | { 0 to 500°F or C }   | 5°                   | ✓                                | ✓                   |              |   |
| W7-90 + 10-12   | 10 to 90°             | 1°                   | ✓                                | ✓                   |              |   |
| W7-120 + 20-12  | 20 to 120°            | 1°                   | ✓                                | ✓                   |              |   |
| W7-130 + 30-12  | 30 to 130°            | 1°                   | ✓                                | ✓                   |              |   |
| W7-230 + 30-12  | 30 to 230°            | 2°                   | ✓                                | ✓                   |              |   |
| W7-150 + 40-12  | 40 to 150°            | 2°                   | ✓                                | ✓                   |              |   |
| 31-Day          | W31-20 + 120-12* Rev. | -20 to 120°          | 2°                               | ✓                   | ✓            |   |
| W31-110-10-12   | -10 to 110°           | 1°                   | ✓                                | ✓                   |              |   |
| W31-300-0-12    | 0 to 300°             | 2°                   | ✓                                | ✓                   |              |   |
| W31-150 + 50-12 | 50 to 150°            | 1°                   | ✓                                | ✓                   |              |   |

\*Reverse graduations, i.e. lowest point in range at outer edge of chart.

\*\*1/2" diameter hole.

✓Charts Available.

†Ammonia Vapor pressure equivalent (2 color chart)

††Combination temperature and pressure chart.