



RANGE

The maximum operating pressure should not exceed 75% of the full-scale range. The normal operating range should be in the middle half of the range (between 25% and 75% of the full-scale range); whenever possible.

DIAL SIZE

Select a dial size that allows you to comfortably read the dial from the normal distance when installed.

ACCURACY

All Weksler BiMetal Thermometers have an accuracy of $\pm 1\%$ of the full-scale range. For accurate readings stem must be immersed at least 2 inches in liquids and 4 inches in gases.

UNDER/OVER RANGE PROTECTION

Temporary exposure to temperatures under or over 50% of the full-scale range will not impair accuracy (up to 500°F or 260°C maximum).

CASE ASSEMBLY

The case, bezel, stem and fittings are stainless steel (300 series). The head assembly is sealed to exclude dirt, dust and moisture on 3" and 5" dial sizes, all joints are welded.

DIALS

Dials are white with clear black graduations and numerals and are easy to read.

FACE

A gasketed glass window is standard on 3" and 5" dial sizes. Where breakage is a concern, a plastic or shatterproof glass window is optional at extra cost. On 1" and 2" dial sizes a plastic window is standard (no options available). Plastic windows are not suitable where head temperature exceeds 150°F (65°C).

EXTERNAL ADJUSTMENT

An external adjustment at the rear of the 3" and 5" case permits adjustment at a specific point or pointer repositioning during calibration check.

VIBRATION AND SHOCK

If present, use of either a heavy duty bimetal, MIL SPEC Bimetal or a remote mounted gas actuated thermometer is recommended.

HIGH PRESSURE OR CORROSIVE APPLICATIONS

In these applications, use of a separable thermowell is recommended. In addition to protecting the thermometer, thermowells facilitate removal of the thermometer without having to shut down the system.

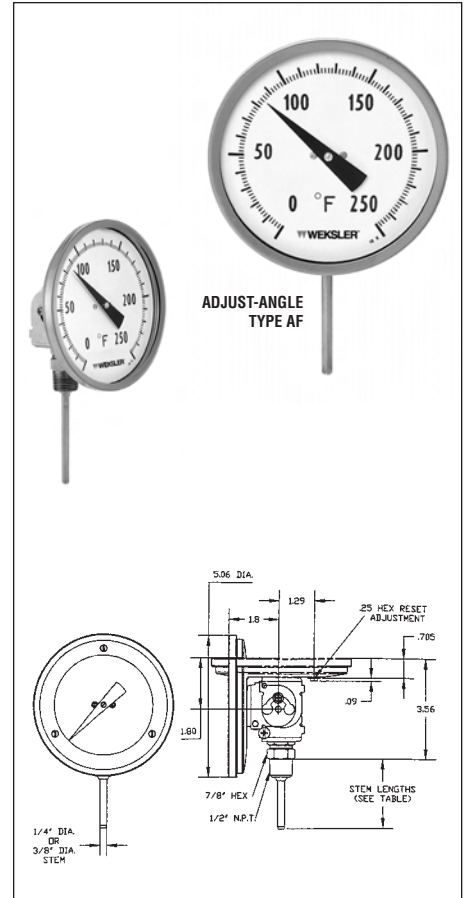
STANDARD RANGES

- All Stainless Steel Construction
- External Recalibration Adjustment
- White dial with black markings
- Accurate to ±1% of Scale Range
- Gasketed Glass Face
- Case is sealed to exclude dirt, dust and moisture
- 3" and 5" dial sizes
- Angularly adjustable frame permits positioning of dial to accommodate viewing requirements

3" AND 5" DIAL SIZE CATALOG NUMBERS

STEM LENGTH	FIXED THREAD		UNION CONNECTED	
	3"	5"	3"	5"
2½"	CF02	AF02	CU02	AU02
4"	CF04	AF04	CU04	AU04
6"	CF06	AF06	CU06	AU06
9"	CF09	AF09	CU09	AU09
12"	CF12	AF12	CU12	AU12
15"	CF15	AF15	CU15	AU15
18"	CF18	AF18	CU18	AU18
24"	CF24	AF24	CU24	AU24

NOTE: Union connected types must be used with thermowells, longer length available on special order.



STANDARD RANGES

CODE	Fahrenheit
FC	-80 to 120°F
FE	-40 to 120°F
FG	0 to 150°F
FJ	0 to 200°F
FL	0 to 250°F
FM	30 to 240°F
FN	30 to 130°F †
FR	50 to 300°F
FS	50 to 400°F
FT	50 to 550°F
FX	150 to 750°F †
FY	200 to 1000°F* †
Celsius	
CD	-50 to 50°C
CJ	0 to 100°C
CM	-10 to 110°C
CN	0 to 50°C †
CR	0 to 150°C
CS	0 to 200°C
CU	0 to 300°C
CX	50 to 450°C †
CY	100 to 550°C* †

CODE	DUAL SCALE	
	Fahrenheit (on outside)	Celsius (on inside)
DE	-40/120°F and	-40/50°C
DF	40/160°F and	-40/70°C
DN	30/130°F and	0/55°C †
DJ	0/200°F and	-20/94°C
DL	0/250°F and	-20/120°C
DR	50/300°F and	10/150°C
DS	50/400°F and	10/200°C
DT	50/550°F and	10/290°C
DX	100/800°F* and	40/430°C †
DY	200/1,000°F and	100/550°C* †

*Not recommended for continuous service above 800°F (425°C). For such temperatures see pg. 63.
†Minimum stem length for these ranges 4".

**SEPARABLE THERMOWELLS AVAILABLE
SEE PAGES 59 - 63**

OPTIONAL FEATURES	
CODE	Description
EL	Liquid Filling for Catalog No's AF, 3A, 5A only
PD	Plastic Window
SG	Shatter Proof Glass
NN	Paper Tag
NH	Stainless Steel Tag
DM	Dial Markings
C4	Calibration Certificate

HOW TO ORDER

A F 0 6 4 4 F M X

1. Basic 4-digit Catalog No. From Table Above _____
2. Stem Diameter: "4" = .250"O.D. (Standard); "5" = .375"O.D. (Extra Cost) _____
3. Thread Size: "4" = ½ NPT Male (AF Series); "U" = ½ NPT Male Swivel Nut (AU Series) _____
4. 2 Digit Range Code from Range Tables Above _____
5. Option(s): "X" = None Required; "9" = Option(s) Required (Extra Cost) _____

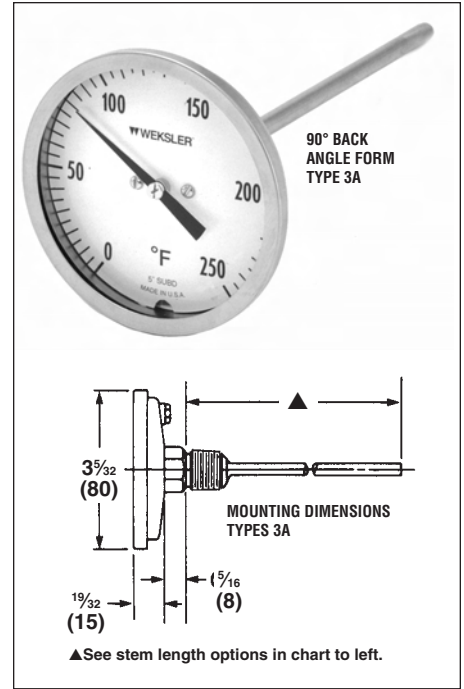
If option(s) are required specify: Plastic Face, Shatterproof Glass Face, Paper Tag, Stainless Steel Tag

STANDARD FEATURES

- All Stainless Steel Construction
- External Recalibration Adjustment
- White dial with black markings
- Accurate to ±1% of Scale Range
- Gasketed Glass Face
- Case is sealed to exclude dirt, dust and moisture
- 3" dial size

CATALOG NUMBERS*		
STEM LENGTH	90° BACK ANGLE FORM	STRAIGHT FORM
2½"	3A02	3S02
4"	3A04	3S04
6"	3A06	3S06
9"	3A09	3S09
12"	3A12	3S12
15"	3A15	3S15
18"	3A18	3S18
24"	3A24	3S24

Longer stem lengths available on special order.



STANDARD RANGES

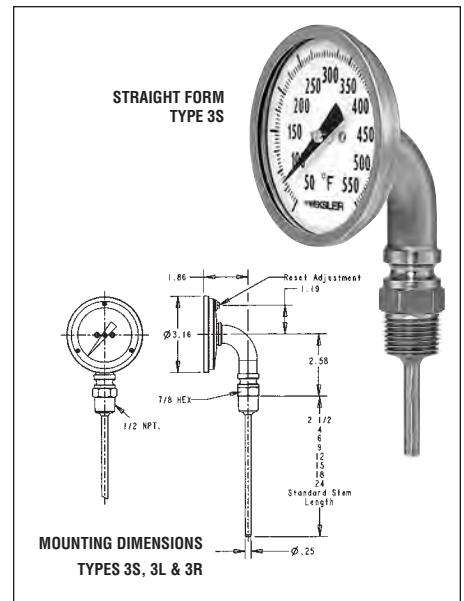
CODE	Fahrenheit
FC	-80 to 120°F
FE	-40 to 120°F
FG	0 to 150°F
FJ	0 to 200°F
FL	0 to 250°F
FM	30 to 240°F
FN	30 to 130°F †
FR	50 to 300°F
FS	50 to 400°F
FT	50 to 550°F
FX	150 to 750°F †
FY	200 to 1000°F* †

CODE	Celsius
CD	-50 to 50°C
CJ	0 to 100°C
CM	-10 to 110°C
CN	0 to 50°C †
CR	0 to 150°C
CS	0 to 200°C
CU	0 to 300°C
CX	50 to 450°C †
CY	100 to 550°C* †

CODE	DUAL SCALE	
	Fahrenheit (on outside)	Celsius (on inside)
DE	-40/120°F and	-40/50°C
DF	40/160°F and	-40/70°C
DN	30/130°F and	0/55°C †
DJ	0/200°F and	-20/94°C
DL	0/250°F and	-20/120°C
DR	50/300°F and	10/150°C
DS	50/400°F and	10/200°C
DT	50/550°F and	10/290°C
DX	100/800°F* and	40/430°C †
DY	200/1,000°F and	100/550°C* †

*Not recommended for continuous service above 800°F (425°C). For such temperatures see pg. 63.
 †Minimum stem length for these ranges 4".

OPTIONAL FEATURES	
CODE	Description
EL	Liquid Filling for Catalog No's AF, 3A, 5A only
PD	Plastic Window
SG	Shatter Proof Glass
NN	Paper Tag
NH	Stainless Steel Tag
DM	Dial Markings
C4	Calibration Certificate



**SEPARABLE THERMOWELLS AVAILABLE
SEE PAGES 59 - 63**

HOW TO ORDER

3 S 0 4 4 4 D R X

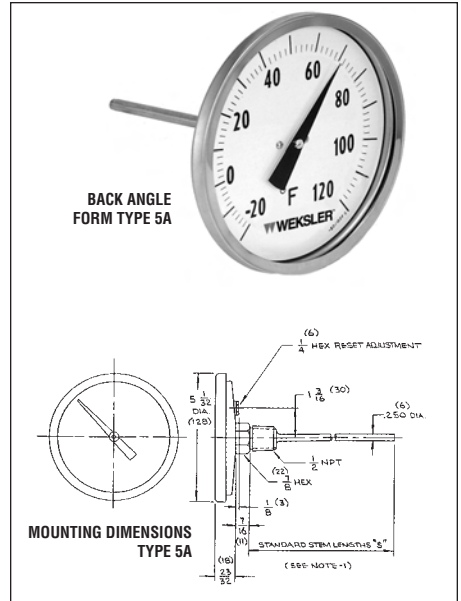
1. Basic 4-digit Catalog No. From Table Above _____
2. Stem Diameter: "4" = .250" O.D. (Standard); "5" = .375" O.D. (Extra Cost) _____
3. Thread Size: "4" = 1/2 NPT Male; "U" = 1/4 NPT Male (Extra Cost) _____
4. 2 Digit Range Code from Range Tables Above _____
5. Option(s): "X" = Non Required Option(s) Required (Extra Cost) Select code from above table _____

STANDARD FEATURES

- All Stainless Steel Construction
- External Recalibration Adjustment
- White dial with black markings
- Accurate to ±1% of Scale Range
- Gasketed Glass Face
- Case is sealed to exclude dirt, dust and moisture
- 5" dial size

CATALOG NUMBERS*		
STEM LENGTH	90° BACK ANGLE FORM	STRAIGHT FORM
2½"	5A02	5S02
4"	5A04	5S04
6"	5A06	5S06
9"	5A09	5S09
12"	5A12	5S12
15"	5A15	5S15
18"	5A18	5S18
24"	5A24	5S24

Longer stem lengths available on special order



STANDARD RANGES

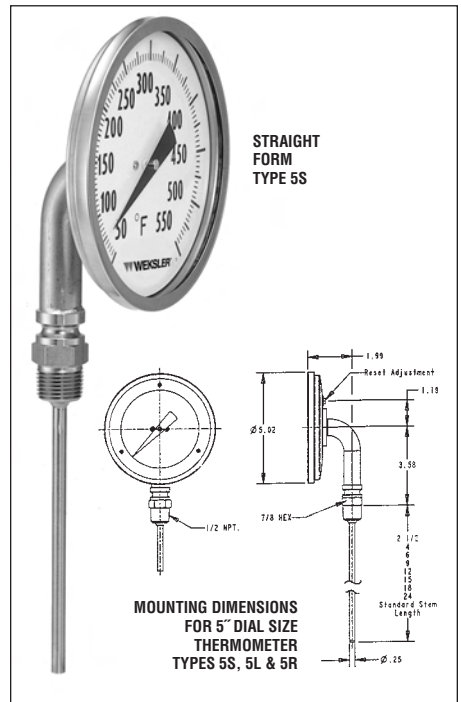
CODE	Fahrenheit
FC	-80 to 120°F
FE	-40 to 120°F
FG	0 to 150°F
FJ	0 to 200°F
FL	0 to 250°F
FM	30 to 240°F
FN	30 to 130°F †
FR	50 to 300°F
FS	50 to 400°F
FT	50 to 550°F
FX	150 to 750°F †
FY	200 to 1000°F* †

CODE	Celsius
CD	-50 to 50°C
CJ	0 to 100°C
CM	-10 to 110°C
CN	0 to 50°C
CR	0 to 150°C
CS	0 to 200°C
CU	0 to 300°C
CX	50 to 450°C †
CY	100 to 550°C* †

CODE	DUAL SCALE	
	Fahrenheit (on outside)	Celsius (on inside)
DE	-40/120°F	and -40/50°C
DF	40/160°F	and -40/70°C
DN	30/130°F	and 0/55°C †
DJ	-0/200°F	and -20/94°C
DL	0/250°F	and -20/120°C
DR	50/300°F	and 10/150°C
DS	50/400°F	and 10/200°C
DT	50/550°F	and 10/290°C
DX	100/800°F*	and 40/430°C †
DY	200/1,000°F	and 100/550°C* †

*Not recommended for continuous service above 800°F (425°C). For such temperatures see pg. 63.
 †Minimum stem length for these ranges 4".

CODE	DESCRIPTION
EL	Liquid Filling for Catalog No's AF, 3A, 5A only
PD	Plastic Window
SG	Shatter Proof Glass
NN	Paper Tag
NH	Stainless Steel Tag
DM	Dial Markings
C4	Calibration Certificate



**SEPARABLE THERMOWELLS AVAILABLE
SEE PAGES 59 - 63**

HOW TO ORDER

5 A 0 6 4 4 F J X

1. Basic 4-digit Catalog No. From Table Above _____
2. Stem Diameter: "4" = .250" O.D. (Standard); "5" = .375" O.D. (Extra Cost) _____
3. Thread Size: "4" = 1/2 NPT Male; "U" = 1/4 NPT Male (Extra Cost) _____
4. 2 Digit Range Code from Range Tables Above _____
5. Option(s): "X" = Non Required Option(s) Required (Extra Cost) Select code from above table _____

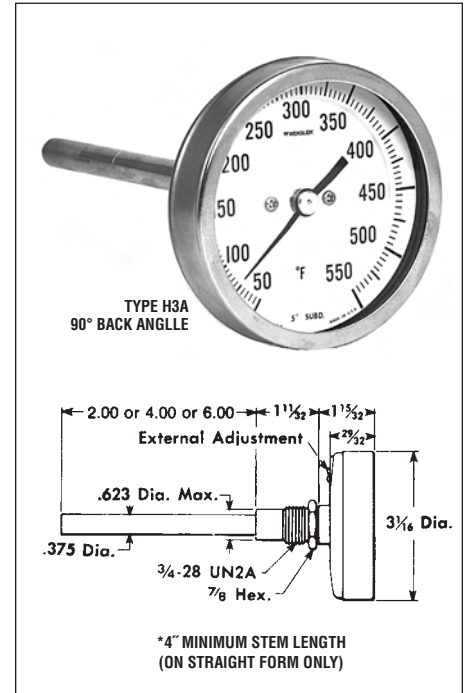
STANDARD FEATURES

- Shock and Vibration Resistant
- Stainless Steel Construction
- Plastic Crystal
- Dished Anti-Parallax Dial for Easy Reading
- External Recalibration Adjustment at Rear of Case
- Accurate to 1% of Scale Range (when tested without well)
- Interchangeable with 5" Scale Size "Submarine" Thermometers Having Same Stem Length
- 3/4"-28 UN2A Union Connection Assembly Must be used with Well (or Bushing)

STEM LENGTH	CATALOG NUMBERS	
	90° BACK ANGLE FORM	STRAIGHT FORM
2"	H3A2	H3S2
4"	H3A4	H3S4
6"	H3A6	H3S6

NOTE: A minimum of 2" insertion (immersion) is required for accurate readings and proper response.

CODE	Fahrenheit
D	-40 to 120°F in 2° divs.*
H	0 to 200°F in 2° divs.
L	20 to 240°F in 2° divs.
P	50 to 300°F in 2° divs.
Q	50 to 400°F in 5° divs.
R	50 to 500°F in 5° divs.
S	50 to 750°F in 10° divs.
Celsius	
1	-50 to 50°C in 1° divs.*
2	-10 to 110°C in 1° divs.
5	0 to 150°C in 2° divs.
6	0 to 200°C in 2° divs.
8	0 to 300°C in 5° divs.



HOW TO ORDER

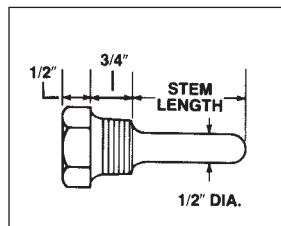
H 3 S 4 H

1. Basic 4-digit Catalog No. _____
2. Range Code _____

**THERMOWELLS FOR HEAVY DUTY BIMETAL THERMOMETERS
.385" BORE – 3/4-28" FEMALE THREAD (INTERNAL)**

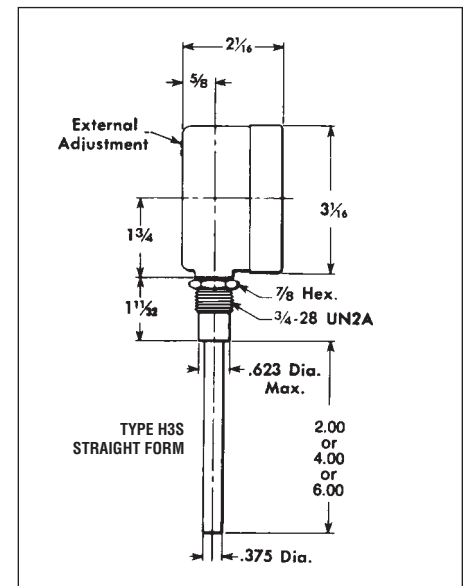
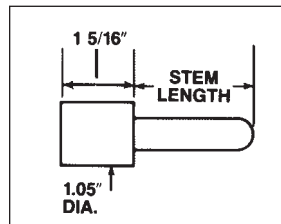
THREADED TYPE – 3/4-14 NPT MALE

THERMOMETER STEM LENGTH	WELL LENGTH (OVERALL)	CATALOG NO.		
		NAVAL BRASS	304 SS	MONEL
2"	3 1/4"	W3N1	W3G1	W3M1
4"	5 1/4"	W5N1	W5G1	W5M1
6"	7 1/4"	W7N1	W7G1	W7M1



WELDING/BRAZING TYPE – 3/4 SOCKET WELD

THERMOMETER STEM LENGTH	WELL LENGTH (OVERALL)	CATALOG NO.		
		PHOS. BRONZE	COPPER NICKEL	316 SS
2"	3 5/16"	W4R4	W4C4	W4F4
4"	5 5/16"	W6R5	W6C5	W6F5
6"	7 5/16"	W8R6	W8C6	W8F6

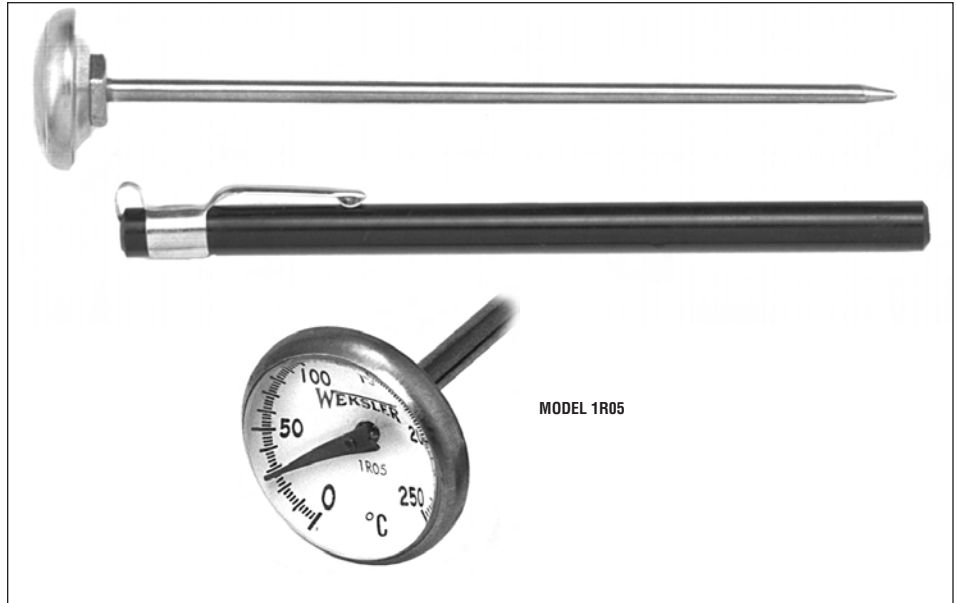


To Order: Specify 4 digit catalog no. from above tables

STANDARD FEATURES

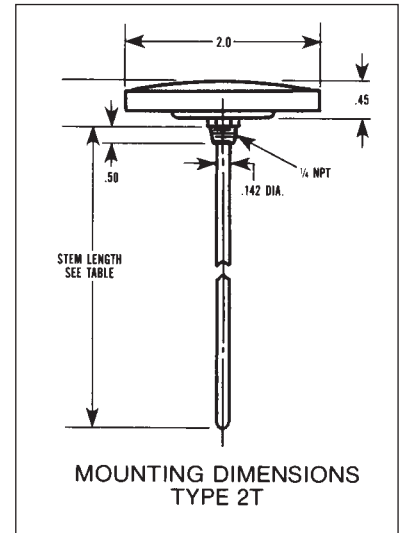
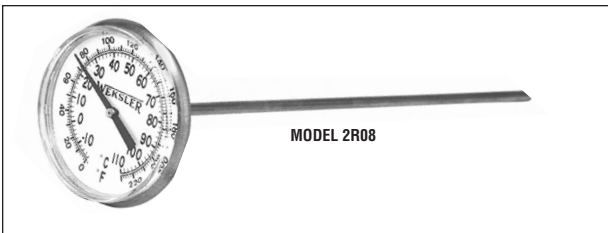
- 1" dial
- 5" stem length
- .142" stem diameter
- Complete with pocket case and clip
- Standard with plastic crystal and recalibration feature

CATALOG NUMBER	STANDARD RANGES
1R05A	-40 to 160°F in 2° divs.
1R05B	25 to 125°F in 1° divs.
1R05C	0 to 220°F in 2° divs.
1R05D	50 to 550°F in 5° divs.
1R05E	-50 to 100°C in 2° divs.
1R05F	-10 to 110°C in 2° divs.
1R05G	0 to 150°C in 2° divs.
1R05H	0 to 250°C in 5° divs.



STANDARD FEATURES

- 2" dial
- All Stainless Steel Construction
- Accurate to ±1% of Scale Range
- Dual Scale (Both °F and °C) Ranges



MOUNTING CLIP FOR 1" and 2" PN TPC

CATALOG NUMBER	DUAL SCALE (BOTH °F AND °C)		TYPE
	FAHRENHEIT ON OUTER – CELSIUS ON INNER SCALE		
2R08A	-40 to 160°F in 2° divs.	and -40 to 70°C in 2° divs.	8" Plain Stem With Recalibration Feature
2R08B	25 to 125°F in 1° divs.	and -5 to 50°C in 1° divs.	
2R08J	0 to 180°F in 2° divs.	and -18 to 83°C in 1° divs.	
2R08C	0 to 220°F in 1° divs.	and -10 to 110°C in 2° divs.	
2R08K	50 to 400°F in 5° divs.	and 10 to 106°C in 2° divs.	
2R08D	50 to 550°F in 5° divs.	and 10 to 290°C in 5° divs.	
2T02A	-40 to 160°F in 2° divs.	and -40 to 70°C in 2° divs.	2½" Stem ¼ NPT Fixed Thread
2T02C	0 to 220°F in 2° divs.	and -10 to 110°C in 2° divs.	
2T04A	-40 to 160°F in 2° divs.	and -40 to 70°C in 2° divs.	4" Stem ¼ NPT Fixed Thread
2T04B	25 to 125°F in 1° divs.	and -5 to 50°C in 1° divs.	
2T04C	0 to 220°F in 2° divs.	and -10 to 110°C in 2° divs.	

HOW TO ORDER

Specify 5 digit catalog number from above tables

**THERMOWELL MEETS USDA, FDA AND
3A SANITARY STANDARD 09-08**

Sanitary instruments are designed for applications in the food, dairy, pharmaceutical, cosmetic, and beverage industries. The standard Tri-clamp fittings have no exposed threads and prevent the process from entering the instruments.

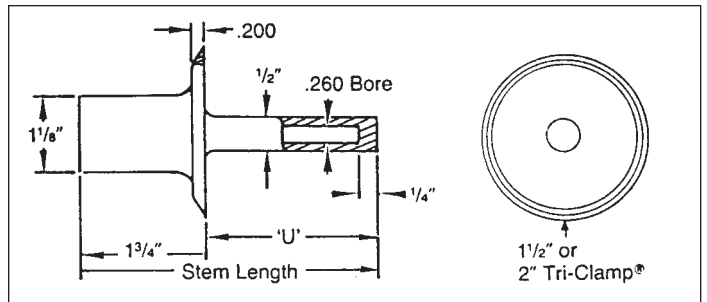
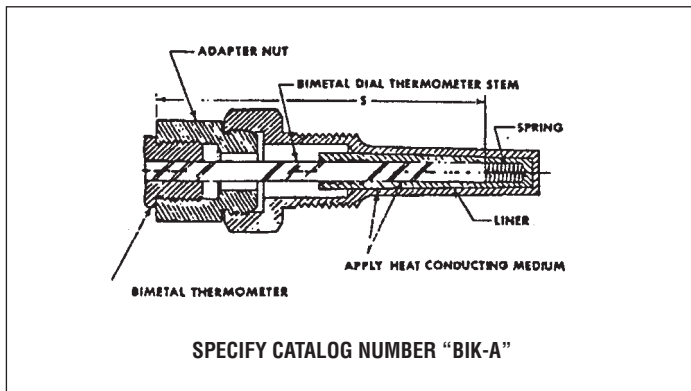
CATALOG NO.	CLAMP SIZE	STEM LENGTH	'U' DIMENSION
D8J4	1 1/2"	4"	2 1/2"
D8J6	1 1/2"	6"	4 1/2"
D9J4	2"	4"	2 1/2"
D9J6	2"	6"	4 1/2"

HOW TO ORDER

Order thermowell by 4 digit catalog number from table above.

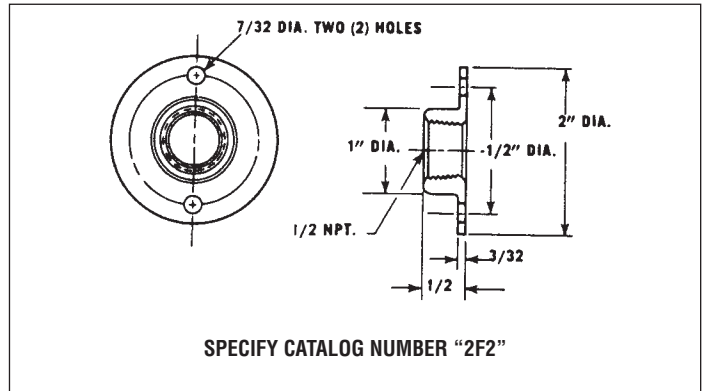
BIMETAL TO INDUSTRIAL WELL CONVERSION KIT

With this kit, an existing Industrial Thermometer Well can be used to accept a Bimetal Dial thermometer. Kit consisting of a liner, an adaptor nut, a spring and heat conducting medium.



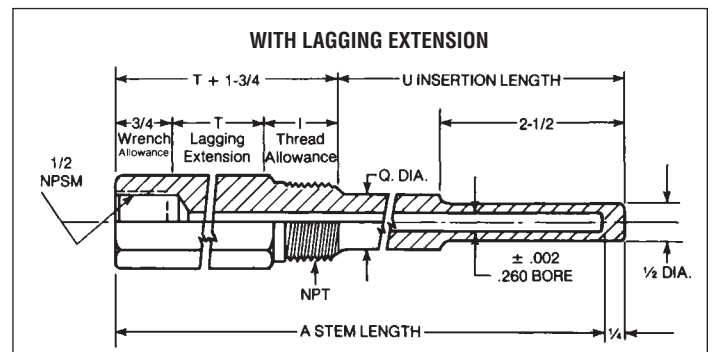
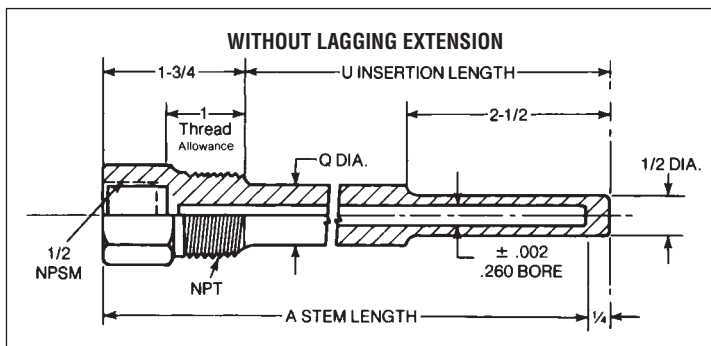
1/2 NPT FLANGE

Satin finish chrome plated brass. For use in air ducts, dryers, ovens, etc.



**FOR INDUSTRIAL BIMETAL THERMOMETERS
WITH .250" DIAMETER ELEMENTS**

- .385" bore available for use with instruments with .375" diameter elements
- All Weksler standard thermowells are bored from solid bar stock


3/4 NPT – CATALOG NUMBERS

A	U	Q	BRASS	STEEL	304 SS	316 SS
4	2½	—	S3B4	S3S4	S3G4	S3J4
6	4½	¾	S3B6	S3S6	S3G6	S3J6
9	7½	¾	S3B9	S3S9	S3G9	S3J9
12	10½	¾	S3B2	S3S2	S3G2	S3J2
15	13½	¾	S3B5	S3S5	S3G5	S3J5
18	16½	¾	S3B8	S3S8	S3G8	S3J8
24	22½	¾	S3BT	S3ST	S3GT	S3JT

3/4 NPT – CATALOG NUMBERS

A	U	T	Q	BRASS	304 STEEL	316 SS	SS
6	2½	2	—	L3B6	L3S6	L3G6	L3J6
9	4½	3	¾	L3B9	L3S9	L3G9	L3J9
12	7½	3	¾	L3B2	L3S2	L3G2	L3J2
15	10½	3	¾	L3B5	L3S5	L3G5	L3J5
18	13½	3	¾	L3B8	L3S8	L3G8	L3J8
24	19½	3	¾	L3BT	L3ST	L3GT	L3JT

1 NPT – CATALOG NUMBERS

A	U	Q	BRASS	STEEL	304 SS	316 SS
4	2½	—	S4B4	S4S4	S4G4	S4J4
6	4½	7/8	S4B6	S4S6	S4G6	S4J6
9	7½	7/8	S4B9	S4S9	S4G9	S4J9
12	10½	7/8	S4B2	S4S2	S4G2	S4J2
15	13½	7/8	S4B5	S4S5	S4G5	S4J5
18	16½	7/8	S4B8	S4S8	S4G8	S4J8
24	22½	7/8	S4BT	S4ST	S4GT	S4JT

1 NPT – CATALOG NUMBERS

A	U	T	Q	BRASS	304 STEEL	316 SS	SS
6	2½	2	—	L4B6	L4S6	L4G6	L4J6
9	4½	3	7/8	L4B9	L4S9	L4G9	L4J9
12	7½	3	7/8	L4B2	L4S2	L4G2	L4J2
15	10½	3	7/8	L4B5	L4S5	L4G5	L4J5
18	13½	3	7/8	L4B8	L4S8	L4G8	L4J8
24	19½	3	7/8	L4BT	L4ST	L4GT	L4JT

Brass wells are not recommended for installations involving high pressures and/or temperatures over 400°F.

Brass cap and chain available to keep bore clean when not in use.

.260" bore standard. If .385" bore is required:

(1) Add the letter K at the end of the catalog no.;

(2) "Q" diameter is changed to 49/64" along entire length of insertion ("U" dimension).

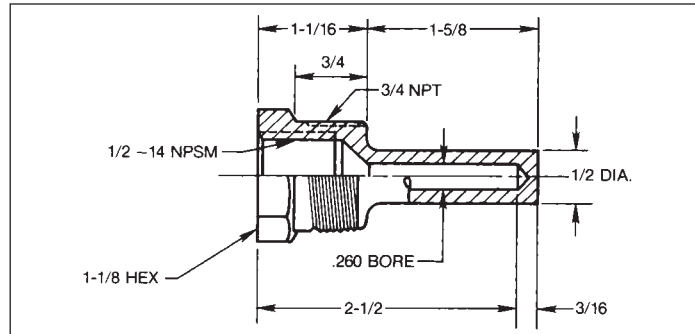
For pressure – temperature rating use Table 1 on page 89.

NOTE: 2½" STEM THERMOMETERS USE SPECIAL LIMITED SPACE WELLS.

LIMITED SPACE WELLS

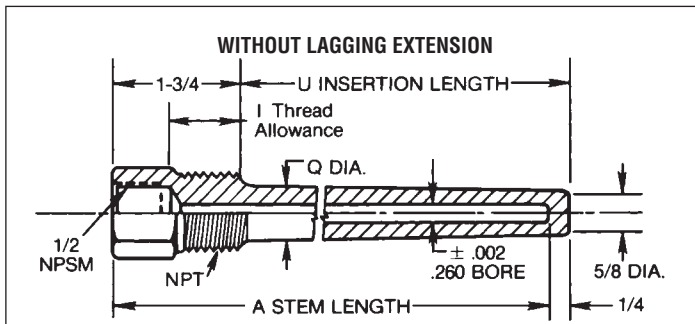
Fits Weksler 3" and 5" bimetal thermometers with 2½" stem length. It is recommended that these be used only when space is such a critical factor that wells for 4" stem length bi-metals cannot be utilized.

IMPORTANT NOTE: The above limited space thermowells should not be used with Weksler 3" or 5" bimetals with the following ranges: 25/125°F, -40/120°F, 0/150°F, 50/500°F, 150/750°F, 0/50°C, -50/50°C, 0/300°C and 100/400°C. These ranges must use thermometers with 4" minimum stem length.

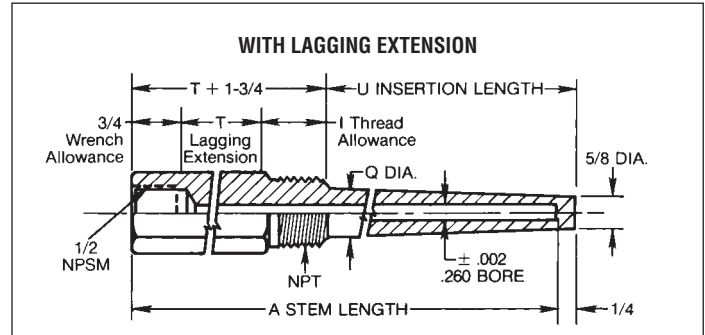


CATALOG NUMBERS				
	BRASS	STEEL	304 SS	316 SS
3/4 NPT	S3B1	S3S1	S3G1	S3J1
1 NPT	S4B1	S4S1	S4G1	S4J1

Brass wells are not recommended for installations involving high pressures and/or temperatures over 400°F.

HEAVY DUTY THREADED WELLS

¾ NPT – CATALOG NUMBERS

A	U	Q	STEEL	304 SS	316 SS
4	2½	—	S3S4H	S3G4H	S3J4H
6	4½	¾	S3S6H	S3G6H	S3J6H
9	7½	¾	S3S9H	S3G9H	S3J9H
12	10½	¾	S3S2H	S3G2H	S3J2H
15	13½	¾	S3S5H	S3G5H	S3J5H
18	16½	¾	S3S8H	S3G8H	S3J8H
24	22½	¾	S3STH	S3GTH	S3JTH


¾ NPT – CATALOG NUMBERS

A	U	T	Q	STEEL	304 SS	316 SS
6	2½	2	¾	L3S6H	L3G6H	L3J6H
9	4½	3	¾	L3S9H	L3G9H	L3J9H
12	7½	3	¾	L3S2H	L3G2H	L3J2H
15	10½	3	¾	L3S5H	L3G5H	L3J5H
18	13½	3	¾	L3S8H	L3G8H	L3J8H
24	19½	3	¾	L3STH	L3GTH	L3JTH

1 NPT – CATALOG NUMBERS

A	U	Q	STEEL	304 SS	316 SS
4	2½	1½	S4S4H	S4G4H	S4J4H
6	4½	1½	S4S6H	S4G6H	S4J6H
9	7½	1½	S4S9H	S4G9H	S4J9H
12	10½	1½	S4S2H	S4G2H	S4J2H
15	13½	1½	S4S5H	S4G5H	S4J5H
18	16½	1½	S4S8H	S4G8H	S4J8H
24	22½	1½	S4STH	S4GTH	S4JTH

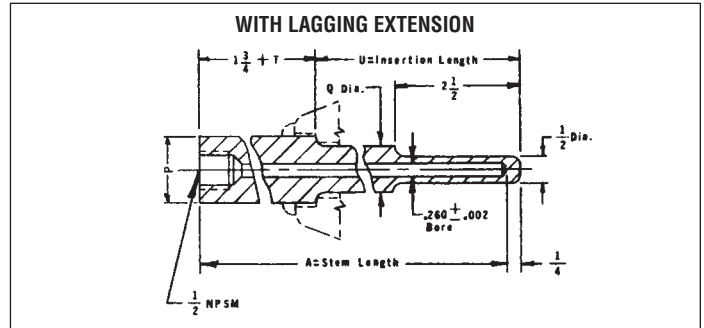
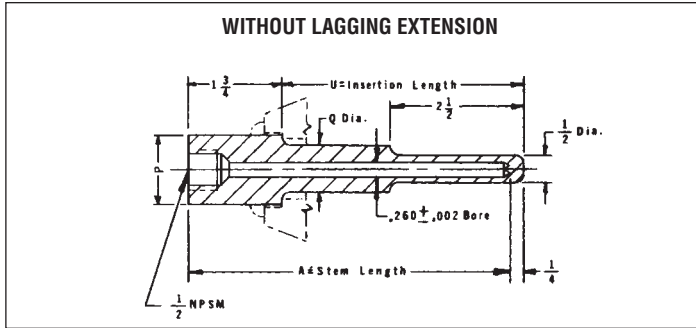
1 NPT – CATALOG NUMBERS

A	U	T	Q	STEEL	304 SS	316 SS
6	2½	2	1½	L4S6H	L4G6H	L4J6H
9	4½	3	1½	L4S9H	L4G9H	L4J9H
12	7½	3	1½	L4S2H	L4G2H	L4J2H
15	10½	3	1½	L4S5H	L4G5H	L4J5H
18	13½	3	1½	L4S8H	L4G8H	L4J8H
24	19½	3	1½	L4STH	L4GTH	L4JTH

Brass cap and chain available to keep bore clean when not in use.
.260" bore standard. If .385" bore is required:

- (1) change the last digit of the catalog no. from H to L;
 - (2) "Q" diameter will be 1½" on all and diameter at the end of taper (bottom of well) will be 49/64".
- For pressure and temperature rating use Table 2 on page 89.

NOTE: ALL WEKSLER STANDARD THERMOWELLS ARE BORED FROM SOLID BAR STOCK.



3/4 NPT – CATALOG NUMBERS

A	U	Q	STEEL	304 SS	316 SS
4	2½	½	S5S4	S5G4	S5J4
6	4½	¾	S5S6	S5G6	S5J6
9	7½	¾	S5S9	S5G9	S5J9
12	10½	¾	S5S2	S5G2	S5J2
15	13½	¾	S5S5	S5G5	S5J5
18	16½	¾	S5S8	S5G8	S5J8
24	22½	¾	S5ST	S5GT	S5JT

3/4 NPT – CATALOG NUMBERS

A	U	T	Q	STEEL	304 SS	316 SS
6	2½	2	½	L5S6	L5G6	L5J6
9	4½	3	¾	L5S9	L5G9	L5J9
12	7½	3	¾	L5S2	L5G2	L5J2
15	10½	3	¾	L5S5	L5G5	L5J5
18	13½	3	¾	L5S8	L5G8	L5J8
24	19½	3	¾	L5ST	L5GT	L5JT

1 NPT – CATALOG NUMBERS

A	U	Q	STEEL	304 SS	316 SS
4	2½	½	S6S4	S6G4	S6J4
6	4½	⅞	S6S6	S6G6	S6J6
9	7½	⅞	S6S9	S6G9	S6J9
12	10½	⅞	S6S2	S6G2	S6J2
15	13½	⅞	S6S5	S6G5	S6J5
18	16½	⅞	S6S8	S6G8	S6J8
24	22½	⅞	S6ST	S6GT	S6JT

1 NPT – CATALOG NUMBERS

A	U	T	Q	STEEL	304 SS	316 SS
6	2½	2	½	L6S6	L6G6	L6J6
9	4½	3	⅞	L6S9	L6G9	L6J9
12	7½	3	⅞	L6S2	L6G2	L6J2
15	10½	3	⅞	L6S5	L6G5	L6J5
18	13½	3	⅞	L6S8	L6G8	L6J8
24	19½	3	⅞	L6ST	L6GT	L6JT

*NOMINAL PIPE SIZE ("P" DIMENSION)
¾" Weld Connection = 1.050" Diameter
1" Weld Connection = 1.315" Diameter

Brass cap and chain available to keep bore clean when not in use.
 .260" bore standard. If .385" bore is required:
 (1) add the letter K to the end of the catalog no. ;
 (2) "Q" dimension is changed to 49/64" along entire length of insertion ("U" dimension).
 For pressure and temperature rating use Table below.
NOTE: ALL WEKSLER STANDARD THERMOWELLS ARE BORED FROM SOLID BAR STOCK.

**PRESSURE-TEMPERATURE RATING
 (LBS. PER SQ. INCH)**

(Weld-in Type)

(Heavy Duty Threaded)

TABLE 1

MATERIAL	TEMPERATURE – °F						
	70°	200°	400°	600°	800°	1000°	1200°
Brass 5000	4200	1000	—	—	—	—	—
Carbon Steel	5200	5000	4800	4600	3500	1500	—
A.I.S.I.-304	7000	6200	5600	5400	5200	4500	1650
A.I.S.I.-316	7000	7000	6400	6200	6100	5100	2500
Monel 6500	6000	5400	5300	5200	1500	—	—

TABLE 2

MATERIAL	TEMPERATURE – °F						
	70°	200°	400°	600°	800°	1000°	1200°
Brass	5300	4250	1100	—	—	—	—
Carbon Steel	5950	5750	5450	5250	4000	1750	—
A.I.S.I.-304	7800	7050	6400	6150	6000	5190	1875
A.I.S.I.-316	7800	7800	7250	7100	6950	5800	2720
Monel	7450	6850	6150	6100	5940	1750	—

