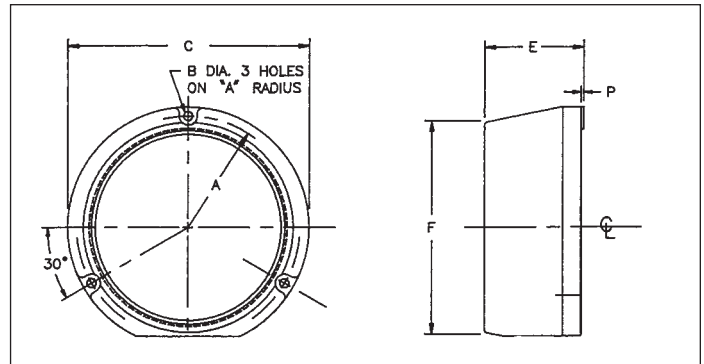


SURFACE (WALL) OR DIRECT MOUNT TYPES



Snap-in glass retaining ring.
Standard for 4½" remote or direct mount types (except all stainless steel adjust angle).



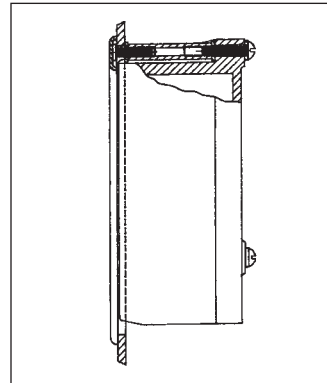
STYLE	DIAL SIZE(S)	MATERIAL
P	4½" Only	Polypropylene

GAUGE SIZE	A	B	C	E	F	P
4½	INCH 2 ¹¹ / ₁₆	¼	5 ¹³ / ₁₆	2 ⁷ / ₁₆	5 ¹ / ₁₆	¼
	MM 68	6	148	62	129	2

FLUSH MOUNTING RING KIT FOR STYLE "P" CASE

CATALOG NUMBER	FOR USE WITH	PANEL CUT-OUT DIAMETER
TR45	4½" "P" Case	5.675"

Kit consists of flush mounting ring plus necessary hardware for mounting (screws, washers, spacer posts).



SURFACE (WALL) MOUNT TYPES



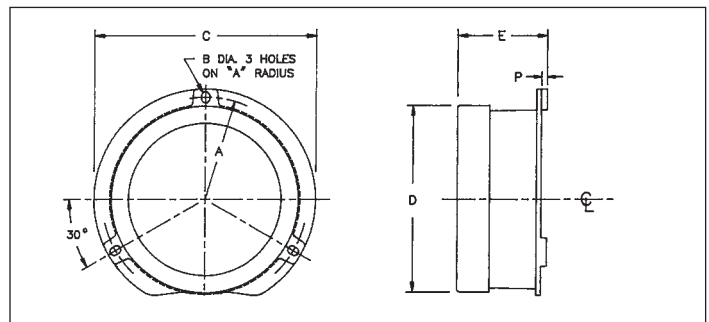
Style "A" has bayonet type glass retaining ring.

Style "G" has chrome like slip on glass retaining ring.

Style "A" is standard on 3½" and 6" dial size remote mount thermometers and is optional for 4½" dial size.

Style "G" is standard on 8½" dial size remote mount thermometers.

STYLE	DIAL SIZE(S)	MATERIAL
A	3½" - 4½" - 6"	Aluminum
G	8½" Only	Black Textured Enamel Finish



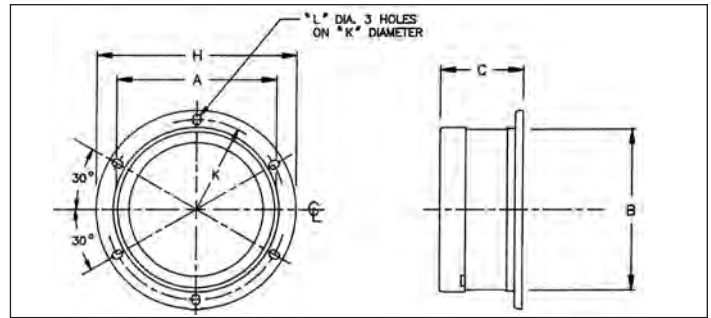
GAUGE SIZE	A	B	C	E	F	P
3½	INCH 2 ¹ / ₈	¾	5	4	2 ¹ / ₁₆	¼
	MM 64	5	127	102	52	3
4½	INCH 2 ¹¹ / ₁₆	¾	5 ¹ / ₈	4 ¹³ / ₁₆	2 ⁷ / ₁₆	¼
	MM 68	5	149	125	62	3
6	INCH 3 ⁹ / ₁₆	¼	7 ⁵ / ₈	6 ⁷ / ₁₆	2 ¹ / ₂	¼
	MM 90	6	194	164	64	3
8½	INCH 4 ¹³ / ₁₆	¼	10 ¹ / ₄	8 ¹³ / ₁₆	2 ⁵ / ₁₆	¼
	MM 122	6	260	227	59	2

NOTE: ALL DIMENSIONS ARE APPROXIMATE.

SURFACE (WALL) MOUNT TYPES (Cont.)



BAYONET TYPE GLASS RETAINING RING
4 1/2" dial size remote mount thermometers.



GAUGE SIZE		A	B	C	H	K	L
4 1/2	INCH	4 7/8	4 9/16	2 5/16	6	5 1/16	7/32
	MM	124	116	59	152	144	6

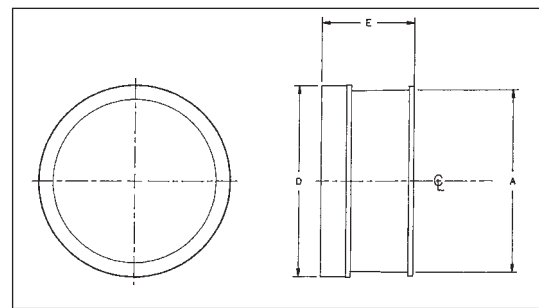
STYLE	DIAL SIZE(S)	MATERIAL
X	4 1/2"	Stainless Steel (300 Series)

DIRECT MOUNT TYPES (Flangless Case)



Style "C" is standard on 3 1/2" and 6" dial size direct mount thermometers and is extra cost option for 4 1/2" dial size.

Glass retaining ring is Bayonet type on style "C" and slip-on type on style "I".

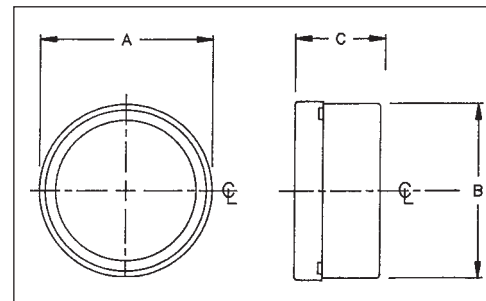


GAUGE SIZE		A	BEZEL-D		E
			BAY'NT	SLIP	
3 1/2	INCH	3 3/8	4 1/8	-	2
	MM	98	105	-	51
4 1/2	INCH	4 15/16	5	-	2 5/8
	MM	125	127	-	60
6	INCH	6 7/16	6 1/2	-	2 7/16
	MM	164	165	-	62

STYLE	DIAL SIZE(S)	MATERIAL
C	3 1/2" - 4 1/2" - 6"	Aluminum Black Textured Enamel Finish



BAYONET TYPE GLASS RETAINING RING
Standard on all stainless steel adjust angle, extra cost on all other 3 1/2" or 4 1/2" dial size direct mount thermometers.



GAUGE SIZE		A	B	C
4 1/2	INCH	4 7/8	4 1/16	2 3/16
	MM	124	116	56

STYLE	DIAL SIZE(S)	MATERIAL
Y	4 1/2"	Stainless Steel (300 Series)

NOTE: ALL DIMENSIONS ARE APPROXIMATE.

FLUSH PANEL MOUNT TYPES

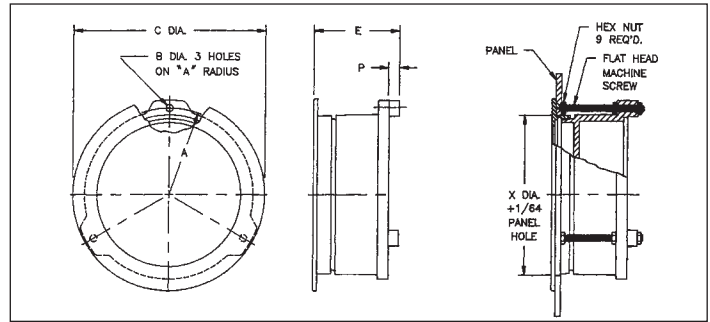


Flanged threaded glass retaining ring for full flush mounting.

Extra cost option on all dial size remote mount thermometers.

NOTE: Rear (back) connections are recommended for flush mounting. Bottom connection is also available.
NOTE: Style "E" formerly was style "AF".

STYLE	DIAL SIZE(S)	MATERIAL
E	3½", 4½", 6" and 8½"	Aluminum Black Textured Enamel Finish



GAUGE SIZE		A	B	C	D	E	P	X	SCREW SIZE
3½	INCH	2 ³ / ₁₆	⁷ / ₃₂	5	4 ¹⁵ / ₁₆	2	¹ / ₈	4	10-32 x 2½
	MM	56	6	127	125	51	3	102	
4½	INCH	2 ¹¹ / ₁₆	⁷ / ₃₂	5 ⁷ / ₈	6	2 ⁷ / ₁₆	³ / ₁₆	5	10-32 x 2½
	MM	68	6	149	152	62	5	127	
6	INCH	3½	⁹ / ₃₂	7 ⁵ / ₈	7 ³ / ₄	2 ¹ / ₁₆	³ / ₁₆	6½	¼-20 x 2½
	MM	89	7	194	197	62	5	165	
8½	INCH	4 ¹³ / ₁₆	⁹ / ₃₂	10 ¹ / ₈	10 ³ / ₈	2 ⁵ / ₁₆	¹ / ₁₆	9	¼-20 x 2½
	MM	122	7	257	264	59	2	229	

HINGED FRONT TYPE FOR FLUSH MOUNTING

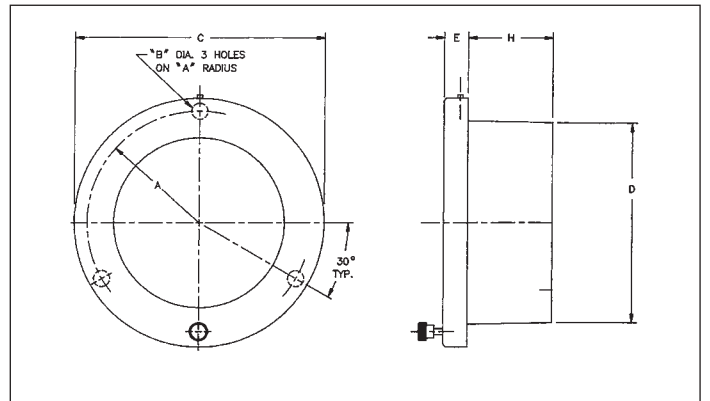


Molded plastic hinged front ring allows easy access to dial and pointer.

Extra cost option on 4½" and 6" dial size remote mount thermometers.

NOTE: Only available with rear (back) connection.

STYLE	DIAL SIZE(S)	MATERIAL
W	4½" and 6"	Aluminum Black Textured Enamel Finish



GAUGE SIZE		A	B	C	D	E	H	X
4½	INCH	2 ¹¹ / ₁₆	³ / ₁₆	6 ³ / ₁₆	4 ⁷ / ₈	⁵ / ₈	2	4 ¹⁵ / ₁₆
	MM	68	5	157	124	16	51	125
6	INCH	3½	³ / ₁₆	7 ¹³ / ₁₆	6 ⁵ / ₈	⁵ / ₈	1¾	6 ⁷ / ₁₆
	MM	89	5	198	168	16	44	164

X-PANEL HOLE CUT-OUT DIAMETER

FLUSH PANEL MOUNT TYPES



Front flanged case for semi-flush mounting.

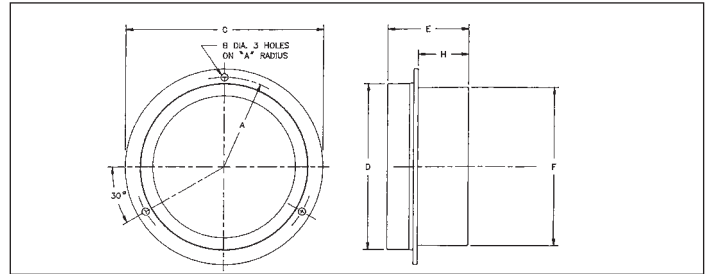
Style "B" has Bayonet type glass retaining ring.

Style "H" has chrome like slip on glass retaining ring.

Extra cost option on all remote mount thermometers.

NOTE: Only available with rear (back) connection.

STYLE	DIAL SIZE(S)	MATERIAL
B	3½" - 4½" - 6"	Aluminum
H	8½" Only	Black Textured Enamel Finish



GAUGE SIZE		A	B	C	D	E	F	H	X
3½	INCH	2¼	¼	4 ¹⁵ / ₁₆	4½	2	3 ¹³ / ₁₆	1 ¹ / ₃₂	3 ¹⁵ / ₁₆
	MM	57	6	125	105	51	97	26	100
4½	INCH	2 ¹ / ₁₆	¼	5 ⁵ / ₁₆	5	2¼	4¾	1½	4 ⁷ / ₈
	MM	68	6	149	127	57	121	38	124
6	INCH	3½	¾	7 ⁹ / ₁₆	6½	2 ⁷ / ₁₆	6 ⁵ / ₁₆	1 ⁷ / ₁₆	6 ⁵ / ₁₆
	MM	89	7	192	165	62	157	37	160

X-PANEL HOLE CUT-OUT DIAMETER



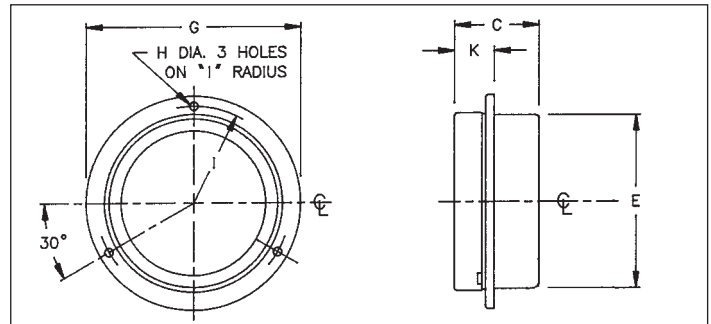
Front flanged case for semi-flush mounting.

Bayonet type glass retaining ring.

Extra cost option 4½" dial size remote mount thermometers.

NOTE: Only available with rear (back) connection.

STYLE	DIAL SIZE(S)	MATERIAL
V	4½"	Stainless Steel (300 Series)



GAUGE SIZE		A	B	C	H	K	L
4½	INCH	2 ¹ / ₈	4 ⁹ / ₁₆	5 ¹⁵ / ₁₆	7 ¹ / ₃₂	2 ¹ / ₁₆	1 ³ / ₁₆
	MM	54	116	151	6	68	21

NOTE: ALL DIMENSIONS ARE APPROXIMATE.