

THERMOWELL MEETS USDA, FDA AND 3A SANITARY STANDARD 09-08

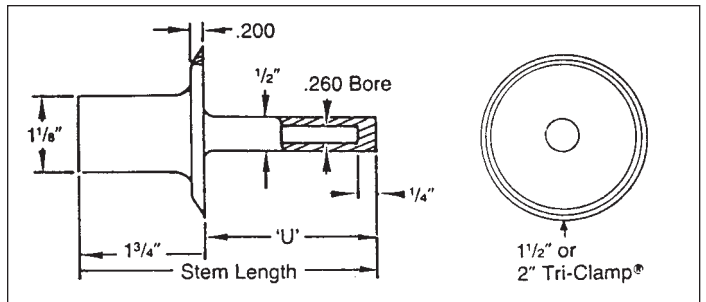
Sanitary instruments are designed for applications in the food, dairy, pharmaceutical, cosmetic, and beverage industries. The standard Tri-clamp fittings have no exposed threads and prevent the process from entering the instruments.

CATALOG NO.	CLAMP SIZE	STEM LENGTH	'U' DIMENSION
D8J4	1 1/2"	4"	2 1/2"
D8J6	1 1/2"	6"	4 1/2"
D9J4	2"	4"	2 1/2"
D9J6	2"	6"	4 1/2"



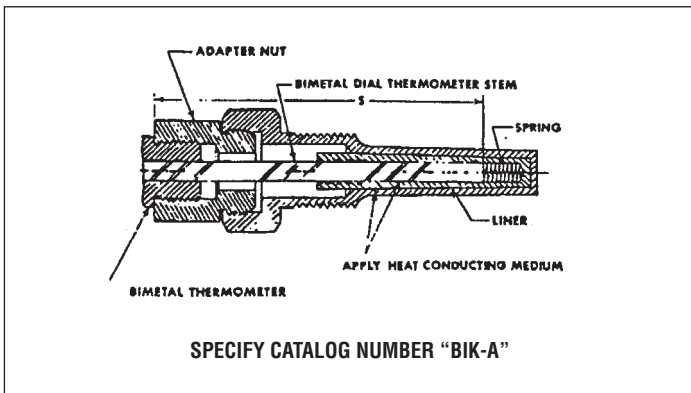
HOW TO ORDER

Order thermowell by 4 digit catalog number from table above.



BIMETAL TO INDUSTRIAL WELL CONVERSION KIT

With this kit, an existing Industrial Thermometer Well can be used to accept a Bimetal Dial thermometer. Kit consisting of a liner, an adaptor nut, a spring and heat conducting medium.



1/2 NPT FLANGE

Satin finish chrome plated brass. For use in air ducts, dryers, ovens, etc.

